
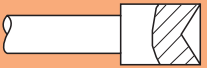



Installation Height: variable
 Recommended Stroke: 4,4 mm (.173)

Grid:
 ≥ 4,75 mm
 ≥ 187 Mil

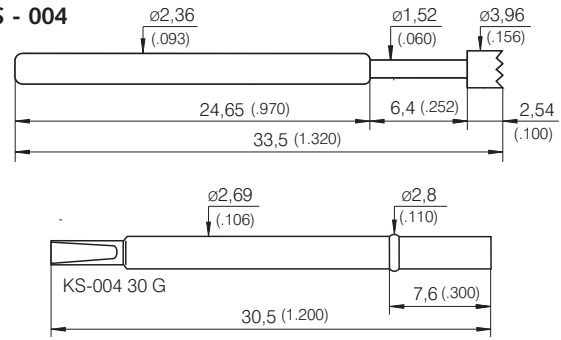
GKS 004 / 005

Available Tip Styles for GKS-004




Material	Tip Style	Standard Plating	Special Versions	
			Ø	Ø(inch)
2	01 	A	Ø 1,52 (.060)	
2	03 	A	Ø 3,96 (.156)	
2	06 	A	Ø 3,96 (.156)	

Mounting and Functional Dimensions

GKS - 004

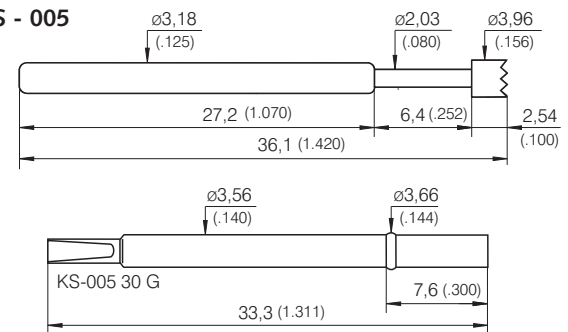


Available Tip Styles for GKS-005

Material	Tip Style	Standard Plating	Special Versions	
			Ø	Ø(inch)
2	01 	A	Ø 2,03 (.080)	
2	03 	A	Ø 3,96 (.156)	
2	06 	A	Ø 3,96 (.156)	

Mounting and Functional Dimensions

GKS - 005

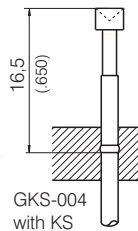


Mechanical Data

	GKS-004	GKS-005
Working Stroke:	4,4 mm (.173)	4,4 mm (.173)
Maximum Stroke:	6,35 mm (.250)	6,35 mm (.250)
Spring Force at Wor. Stroke:	2,0 N (7.2oz)	2,0 N (7.2oz)
alternative:	1,5 N (5.4oz); 3,0 N (10.8oz)	3,0 N (10.8oz); 5,0 N (18oz)

Collar Height und Installation Height

To adjust the Installation Height
 Receptacles with a Press-ring
 (End-Designation "G") are used.
 The Installation Height can be variably set by
 assembling the Collar lower in the mounting hole.

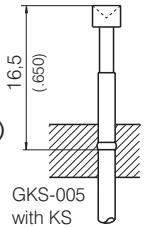


Electrical Data

Current Rating: 6 - 8 A
 R_i typical: < 20 mΩ

Mounting Hole Size

When pressing the Press-ring into
 the mounting hole
 KS - 004 30 G: Ø 2,72 - 2,77 mm (.1071 - .1091)
 KS - 005 30 G: Ø 3,58 - 3,63 mm (.1409 - .1429)



Materials

Plunger: Steel, gold-plated
 Barrel: Nickel-Silver or Bronze, gold-plated
 Spring: Steel, gold-plated
 Receptacle: Nickel-Silver, gold-plated

Ordering Example:

Series	Tip Material 2 = Steel	Tip Style	Tip Diameter (1/100 mm)	Plating A = Gold	Spring Force (dN)	Collar Height (mm)
Test Probes:						
G K S	0 0 4	2 0 1	1 5 2	A	2 0	0 0
G K S	0 0 5	2 0 6	3 9 6	A	3 0	0 0
Receptacles with Press-ring:						
K S - 0 0 4 3 0 G		K S - 0 0 5 3 0 G				

All specifications are subject to change without prior notification