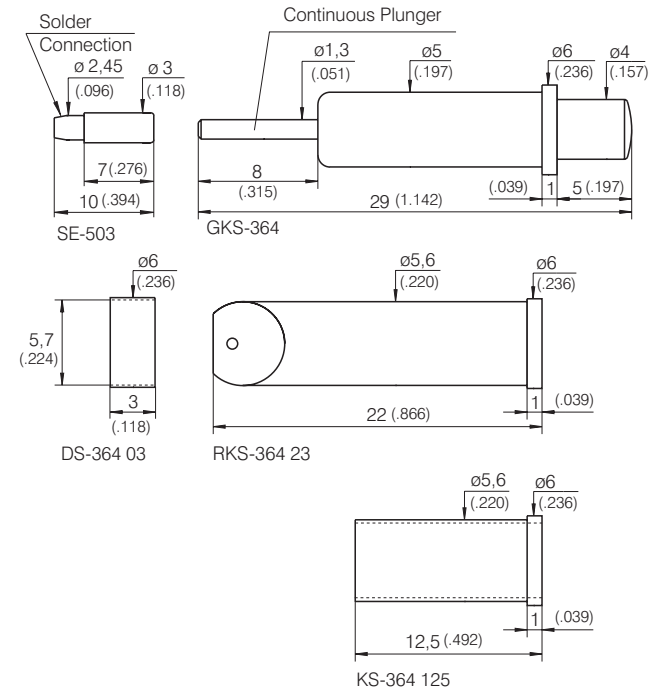


Available Tip Styles					
Material	Tip Style	Standard Plating	Special Versions		
			Ø	Ø(inch)	
2	01*	N	Ø 4,00 (.157)		
2	04	N	Ø 4,00 (.157)		
2	05	N	Ø 4,00 (.157)		
2	06	N	Ø 4,00 (.157)		

\* Angle of Tip 60°

### Mounting and Functional Dimensions



### Mechanical Data

Working Stroke: 4,0 mm (.157)  
 Maximum Stroke: 5,0 mm (.197)  
 Spring Force at Work. Stroke: 1,5 N (5.4oz)  
 alternative: 0,6 N (2.2oz); 3,0 N (1.08oz); 8,0 N (28.9oz)

### Electrical Data

Current Rating: Connection to Plunger: 15-20 A  
 Connection to KS: 5-8 A  
 R<sub>i</sub> typical: Connection to Plunger: < 10 mΩ  
 Connection to KS: < 30 mΩ

### Operating Temperature

Standard: -40° up to +80° C  
 \*\*with 1,5 and 3,0 N Spring: -100° up to +200° C

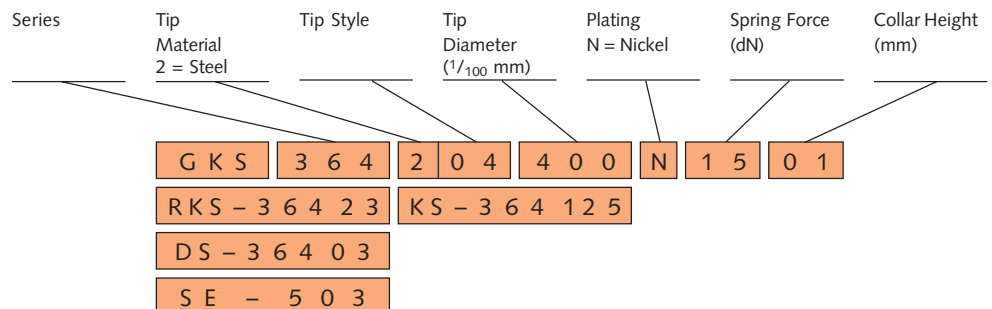
### Mounting Hole Size

with Receptacle: Ø 5,59 - 5,60 mm (.2201 - .2205)  
 without Receptacle: Ø 5,00 mm (.1969)

### Materials

Plunger: Steel, nickel-plated  
 Barrel: Brass, gold-plated  
 Spring: Steel, gold-plated or stainless Steel\*\*  
 Receptacles  
 RKS-364 23: Brass, not plated  
 KS-364 125: Brass, gold-plated

### Ordering Example:



All specifications are subject to change without prior notification