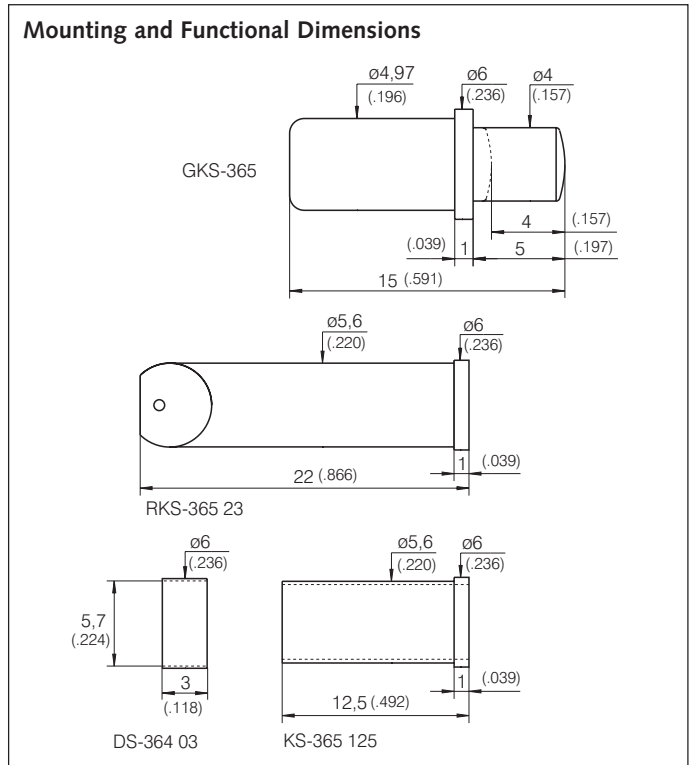


Test Probe with high Stability
 Installation Height: 6,0 mm (.236)
 Recommended Stroke: 3,2 mm (.126)

Grid:
 ≥ 6,50 mm
 ≥ 260 Mil

GKS 365

Available Tip Styles					
Material	Tip Style	Standard Plating	Special Versions		
			Ø	Ø(inch)	
2	04	N	Ø 4,00	(.157)	
1	05	A	Ø 4,00	(.157)	
2	06	A	Ø 4,00	(.157)	



Mechanical Data

Working Stroke: 3,2 mm (.126)
 Maximum Stroke: 4,0 mm (.157)
 Spring Force at Work. Stroke: 1,5 N (5.4oz)
 alternative: 0,6 N (2.2oz); 3,0 N (10.8oz);
 4,0 N (14.4oz); 8,0 N (28.9oz)

Electrical Data

Current Rating: 5-8 A
 R_i typical: < 30 mΩ (* >100 mΩ)

Operating Temperature

Standard: -40° up to +80° C
 * with 8,0 N Spring: -100° up to +200° C

Mounting Hole Size

with Receptacle: Ø 5,59 - 5,60 mm (.2201- .2205)
 without Receptacle: Ø 4,97 mm (.1957)

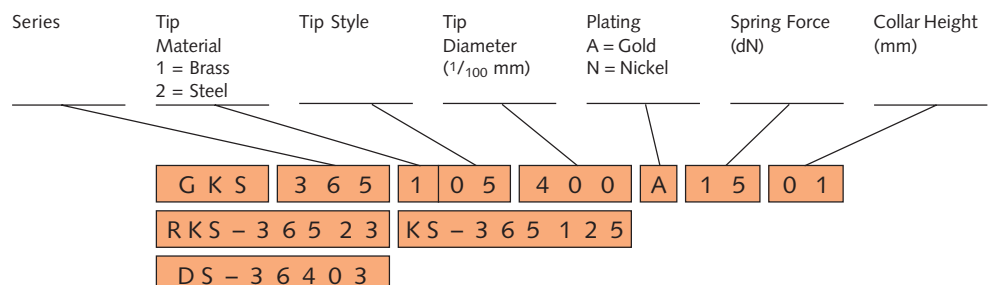
Materials

Plunger: Brass or Steel, gold- or nickel-plated
 Barrel: Brass, gold-plated
 Spring: Steel, gold-plated or stainless Steel*
 Receptacles
 RKS-365 23: Brass, not plated
 KS-365 125: Brass, gold-plated

Other comparable Versions on request:

- e.g. GKS-366:
- Installation Height: 11,0 mm (.433)
 - Max. Stroke: 10,0 mm (.394)
 - Operating Stroke: 8,0 mm (.315)
 - Spring Forces: from 1,5 N (5.4oz) up to 8,0 N (28.9oz.)
 - Receptacles: on request

Ordering Example:



All specifications are subject to change without prior notification