

Test Probes for Fixture Customizing

GKS-925 TJA

Test Probes for the assembly of HP TestJet or Teradyne FramScan applications. The spring-loaded tip balances out possible slanting of the Sensor Plate on the device (IC, connector etc.).

Receptacles: see series GKS-100 (Page 20/21)

Materials

Plunger: BeCu, gold-plated
 Barrel: Bronze, gold-plated
 Spring in GKS: Steel, gold-plated
 Outer Spring: BeCu, gold-plated
 Contact Terminal: Brass, gold-plated

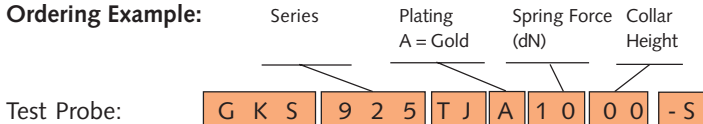
Mechanical Data

Working Stroke: 5,0 mm (.197)
 Spring Force at Work. Stroke: 1,0 N (3.6oz)
 alternative: 1,5 N (5.4oz); 2,0 N (7.2oz)
 3,0 N (.10.8oz)

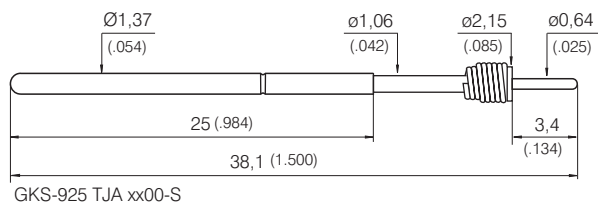
Electrical Data

Current Rating: 3 - 5 A
 R_i typical: < 20 m Ω

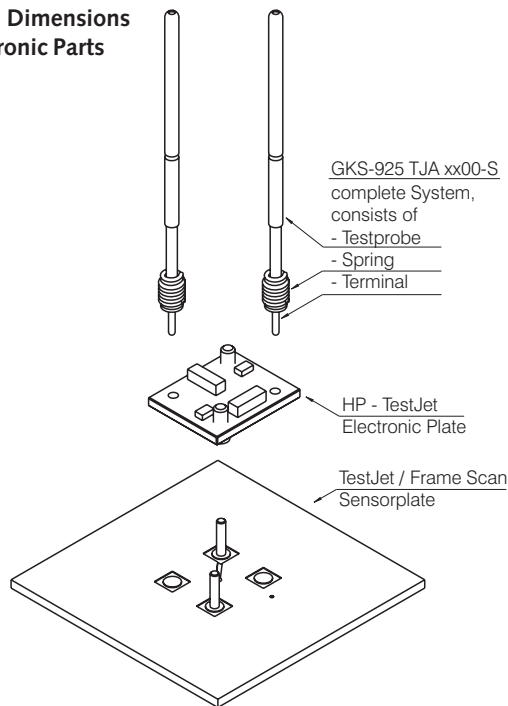
Ordering Example:



Mounting and Functional Dimensions



Mounting Dimensions with Electronic Parts



Stroke Measurement Probe

Description of Application

Test Probe for checking the stroke of a Test Fixture.

Procedure:

1. Install HMS instead of standard Probe
2. Activate Test Fixture. With this, the Plunger of the HMS is pressed down. Crimps on the barrel of the Probe hold the plunger down in the activated position.
3. After de-activating the Test Fixture, the stroke can now be measured on the pressed down plunger.

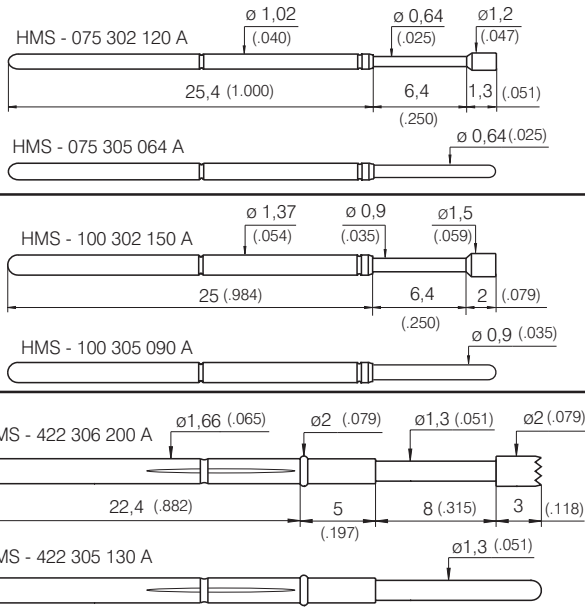
Note: the plunger can be easily pulled out again and the Probe reused many times.

Application Area

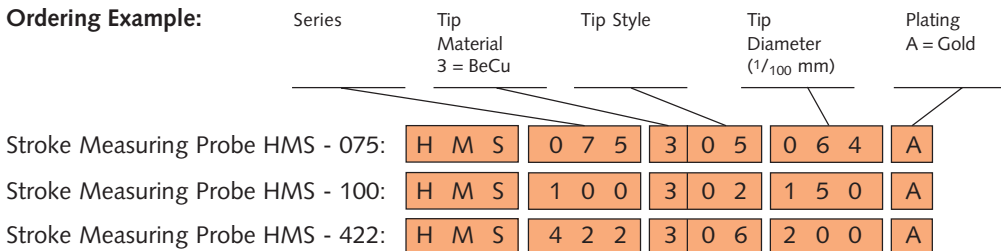
Tip Styles 05: For contacting Test Pads
 Tip Styles 02 / 06: For contacting Component Pins

Further Versions or Series on request

Mounting and Functional Dimensions



Ordering Example:



All specifications are subject to change without prior notification