

Short-stroke and Charging Test Probes
 Installation Height: 2,6 resp. 4,1 mm (.102/.161)
 Recommended Stroke: 1,0 mm (.039)

Grid:
 ≥ 3,00 mm
 ≥ 120 Mil

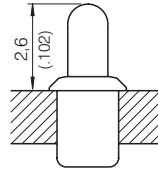
GKS 967

Available Tip Styles				
Material	Tip Style	Standard Plating	Special Versions	
			Ø	Ø(inch)
3	02	A		
3	03	A		
3	04	A		
3	05	A		
3	06	A		
2	15*	A		

* Installation Height 4,1 mm (.161)

Materials

Plunger: BeCu, gold-plated
 Barrel: Brass, gold-plated
 Spring: Steel, gold-plated
 Receptacle: Brass, gold-plated

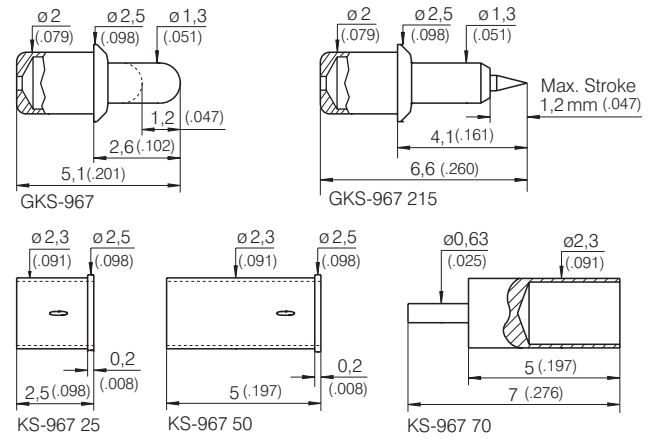


Installation Height

Install. Height 2,6 mm (.102); (* 4,1 mm (.161) for Tip Style 15)
 (Note: Dimension without Receptacle)

Ordering Example: > see Page 46

Mounting and Functional Dimensions



Mechanical Data

Working Stroke: 1,0 mm (.039)
 Maximum Stroke: 1,2 mm (.047)
 Spring Force at Working Stroke: 2,0 N (7.2oz)
 alternative: 1,0 N (3.6oz)

Electrical Data

Current Rating: 5-8 A
 R_i typical: < 10 mΩ

Mounting Hole Size

in Material CEM 1 and FR 4
 with Receptacle: Ø 2,28 - 2,29 mm (.0898 - .0902)
 without Receptacle: Ø 2,00 mm (.0787)

Tools:

Insertion and Extraction Tools for GKS and KS > see Page 80.

Installation Height: 2,6 resp. 4,9 mm (.102/.193)
 Recommended Stroke: 1,0 resp. 2,8 mm (.039/.110)

Available Tip Styles				
Material	Tip Style	Standard Plating	Special Versions	
			Ø	Ø(inch)
3	05	A		

Mechanical Data

	GKS-970	GKS-970 ... K
Working Stroke:	2,8 mm (.110)	1,0 mm (.039)
Maximum Stroke:	3,3 mm (.130)	1,7 mm (.067)
Spring Force at Work. Stroke:	2,0 N (7.2oz)	2,0 N (7.2oz)

Receptacles

> see GKS-967 (above): KS-967 25 and KS-967 50
 Order No.: GKS-970 305 130 A 2001 (K)

Installation Height: 2,8 mm (.110)
 Recommended Stroke: 1,0 mm (.039)

Available Tip Styles				
Material	Tip Style	Standard Plating	Special Versions	
			Ø	Ø(inch)
3	05	R		

Mechanical Data

Working Stroke:	1,0 mm (.039)
Maximum Stroke:	1,3 mm (.051)
Spring Force at Work. Stroke:	0,6 N (2.2oz)

Mounting Hole Size

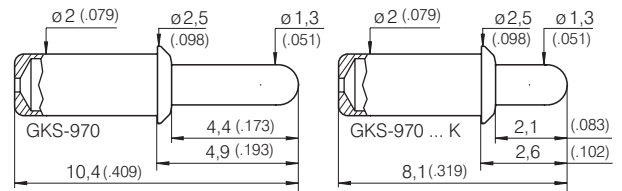
with Receptacle: Ø 1,49 - 1,50 mm (.0587 - .0591)
 without Receptacle: Ø 1,2 mm (.0472)

Ordering Example: GKS-961 305 050 R 0601

Grid: ≥ 3,00 mm
 ≥ 120 Mil

GKS 970

Mounting and Functional Dimensions



Electrical Data

Current Rating: 5-8 A
 R_i typical: < 20 mΩ

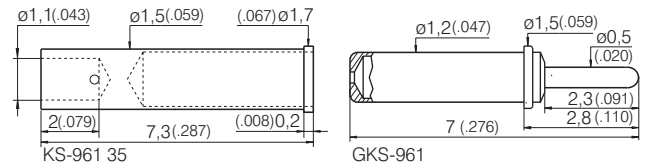
Materials and Mounting Hole Size

> see GKS-967 (above)

Grid: ≥ 1,91 mm
 ≥ 75 Mil

GKS 961

Mounting and Functional Dimensions



Electrical Data

Current Rating: 2 A
 R_i typical: < 100 mΩ

Materials

Spring: stainless Steel, gold-plated

Rest see GKS-967 (above)

All specifications are subject to change without prior notification