

Geared Motor

1. LC22G

(1) 표시형식(PART NUMBER DESIGNATION)

LC22G - 103 1/10	
Series name	Gear ratio
LC22G-103 : DC 24 V	1/10 1/150
LC22G-105 : DC 12 V	1/25 1/300
LC22G-107 : DC 24 V	1/30 1/500
LC22G-108 : DC 12 V	1/50 1/1000
	1/100 1/1500

(2) 형식일람표(LIST OF PART NUMBERS)

Gear ratio	Part number	Part number
1/10	LC22G-103 1/10	LC22G-105 1/10
1/25	LC22G-103 1/25	LC22G-105 1/25
1/50	LC22G-103 1/50	LC22G-105 1/50
1/100	LC22G-103 1/100	LC22G-105 1/100
1/150	LC22G-103 1/150	LC22G-105 1/150
1/300	LC22G-103 1/300	LC22G-105 1/300
1/500	LC22G-103 1/500	LC22G-105 1/500
1/1000	LC22G-103 1/1000	→ LC22G-105 1/1000
1/1500	→ LC22G-103 1/1500	→ LC22G-105 1/1500

Gear ratio	Part number	Part number
1/10	LC22G-103 1/10	LC22G-105 1/10
1/30	LC22G-103 1/30	LC22G-105 1/30
1/50	LC22G-103 1/50	LC22G-105 1/50
1/100	LC22G-103 1/100	LC22G-105 1/100
1/150	LC22G-103 1/150	LC22G-105 1/150
1/300	LC22G-103 1/300	LC22G-105 1/300
1/500	LC22G-103 1/500	LC22G-105 1/500
1/1000	→ LC22G-103 1/1000	→ LC22G-105 1/1000
1/1500	→ LC22G-103 1/1500	→ LC22G-105 1/1500

※Verify the above part numbers when placing orders.

The products indicated by→ mark are manufactured upon receipt of order basis.

(3) 표준사양(STANDARD SPECIFICATIONS)

<Motor only>

Part number	Rated voltage	Rated torque	Rated speed	Rated current	No load speed	No load current	Starting torque	Starting current
LC22G-103	24V	1.96 mN · m {20 gf · cm}	4900 min ⁻¹	80 mA	6100 min ⁻¹	25 mA	10.0 mN · m {102 gf · cm}	350 mA
LC22G-105	12V		5100 min ⁻¹	160 mA		50 mA	11.96 mN · m {122 gf · cm}	850 mA
LC22G-107	24V		7000 min ⁻¹	105 mA	8100 min ⁻¹	30 mA	14.42 mN · m {147 gf · cm}	550 mA
LC22G-108	12V		6100 min ⁻¹	180 mA	7300 min ⁻¹	60 mA	11.96 mN · m {122 gf · cm}	600 mA

Geared Motor

<With gearbox> LC22G-103

Gear ratio	1/10	1/25	1/50	1/100	1/150	1/300	1/500	1/1000	1/1500
Rated torque mN · m {kgf · cm}	4,9 {0,05}	7,8 {0,08}	9,8 {0,1}	14,7 {0,15}		24,5 {0,25}			
Rated speed min⁻¹	578	234	121	60	40,5	20,9	12,4	6,1	4,1
Rated current A	0,04			0,03					
No load speed min⁻¹	610	244	122	61	41	21	12,5	6,1	4,1

LC22G-105

Gear ratio	1/10	1/25	1/50	1/100	1/150	1/300	1/500	1/1000	1/1500
Rated torque mN · m {kgf · cm}	4,9 {0,05}	7,8 {0,08}	9,8 {0,1}	14,7 {0,15}		24,5 {0,25}			
Rated speed min⁻¹	600	244	122	61	40,5	20,4	12,4	6,2	4,1
Rated current A	0,06								
No load speed min⁻¹	620	248	124	62	41	20,5	12,5	6,2	4,1

LC22G-107

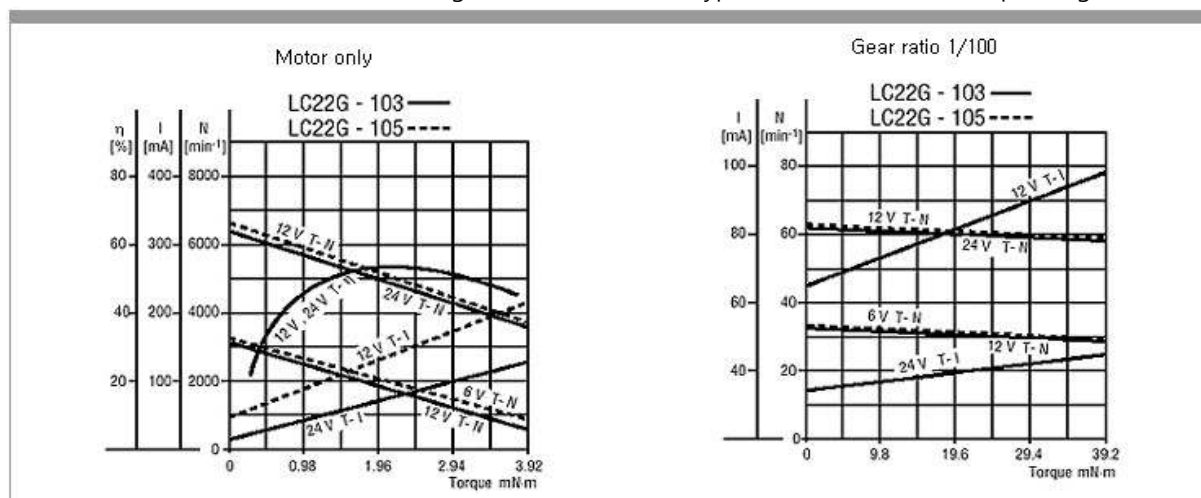
Gear ratio	1/10	1/25	1/50	1/100	1/150	1/300	1/500	1/1000	1/1500
Rated torque mN · m {kgf · cm}	14,7 {0,15}	49,0 {0,5}	78,5 {0,8}	166,7 {1,7}	196,1 {2,0}	294,2 {3,0}			
Rated speed min⁻¹	718	237	138	69	45	23,5	14	7,6	5,2
Rated current A	0,1		0,11		0,12	0,1		0,07	
No load speed min⁻¹	800	267	160	80	53	26,5	16	8	5,3

LC22G-108

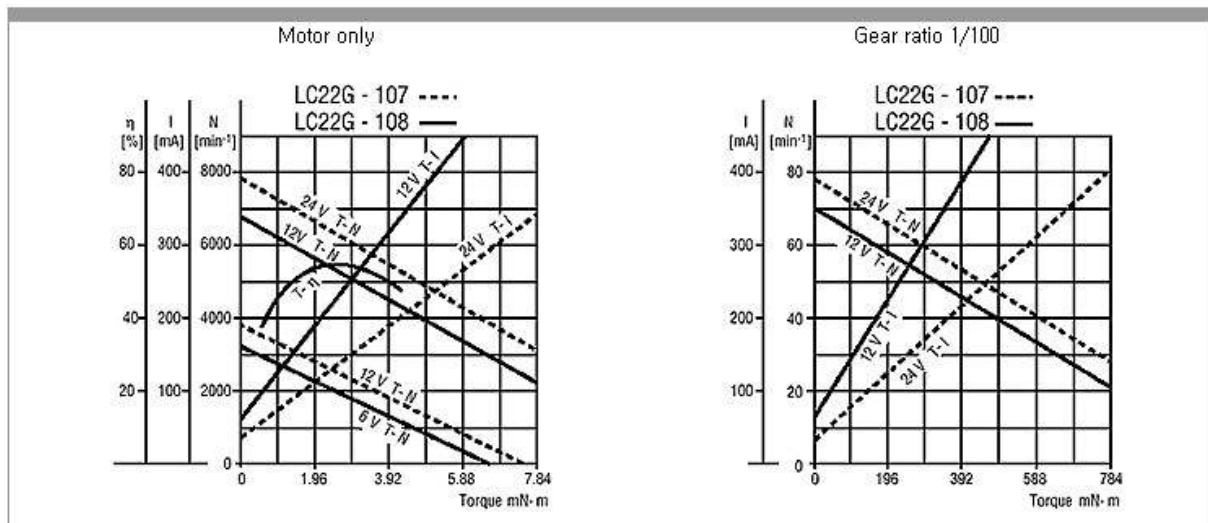
Gear ratio	1/10	1/25	1/50	1/100	1/150	1/300	1/500	1/1000	1/1500
Rated torque mN · m {kgf · cm}	14,7 {0,15}	49,0 {0,5}	78,5 {0,8}	166,7 {1,7}	196,1 {2,0}	294,2 {3,0}			
Rated speed min⁻¹	670	215	126	6964,5	42,5	22	13,5	6,8	4,7
Rated current A	0,2					0,17	0,15	0,11	0,08
No load speed min⁻¹	720	240	144	72	48	24	14,5	7,2	4,8

(4) 특성도 (PERFORMANCE CURVES)

(Figures in the table are typical values under rated operating condition)

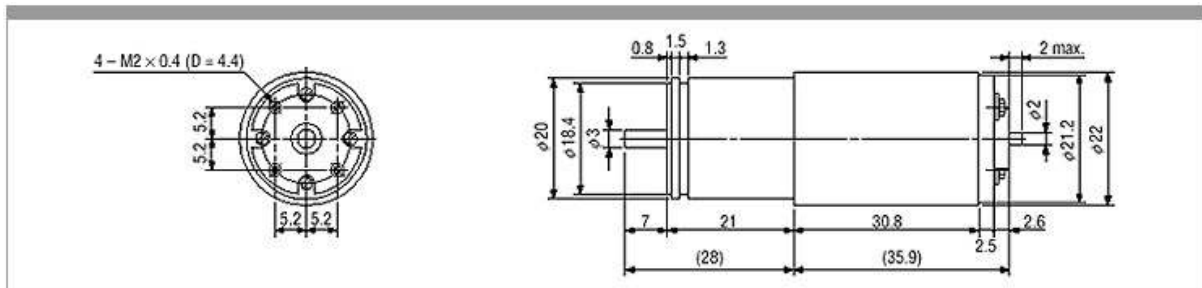


Geared Motor

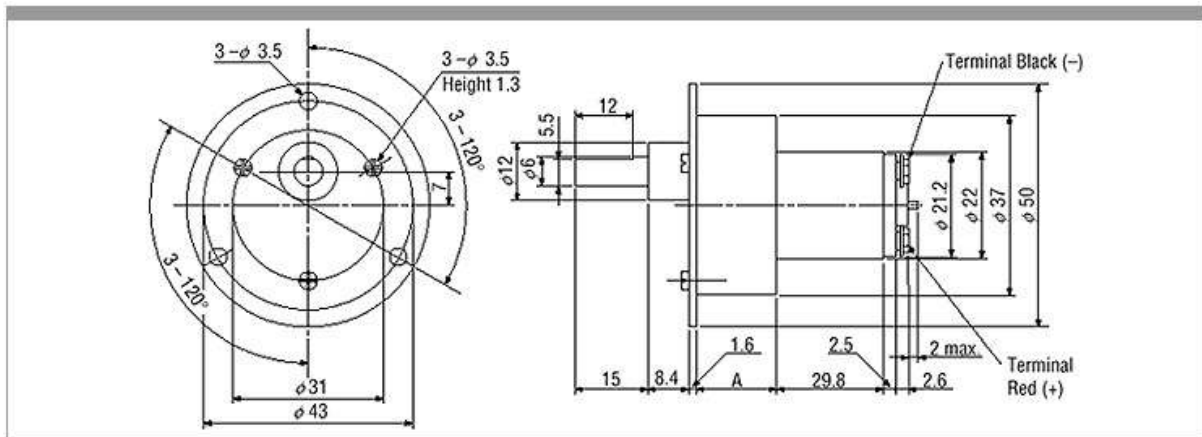


(5) 외형도면(OUTLINE DIMENSIONS)

1) LC22G-103, LC22G-105



2) LC22G-107, LC22G-108



Marks A

Gear ratio	1/10	1/30	1/50	1/100	1/150	1/300	1/500	1/1000	1/1500
A	16,5	19,0	21,5	24,0	26,5	29,0			