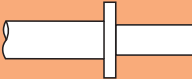
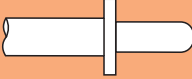


Screw-in Step Probes
Installation Height: see table
Recommended Stroke: 4,0 (.157)

Grid:
 $\geq 4,00 \text{ mm}$
 $\geq 160 \text{ Mil}$

T 113 M

Available Tip Styles				
Material	Tip Style	Standard Plating	Special Versions	
			Ø	(Ø inch)
3	02 	A	Ø s.table	
3	05 	A	Ø s.table	

Mechanical Data

Working Stroke: 4,0 mm (.169)
Maximum Stroke: 5,3 mm (.209)
Spring Force at Work. Stroke: 1,5 N (5.4oz)
alternative: 0,3 N (1.1oz) ; 0,6 N (.2.2oz);
 1 N (3.6oz); 2,25 N (8.1oz);
 3 N (10.8oz); 5 N (18oz)

Electrical Data

Current Rating: 5-8 A
R_i typical: $\leq 30 \text{ m}\Omega$

Operating Temperature

Standard: -40° up to +80° C

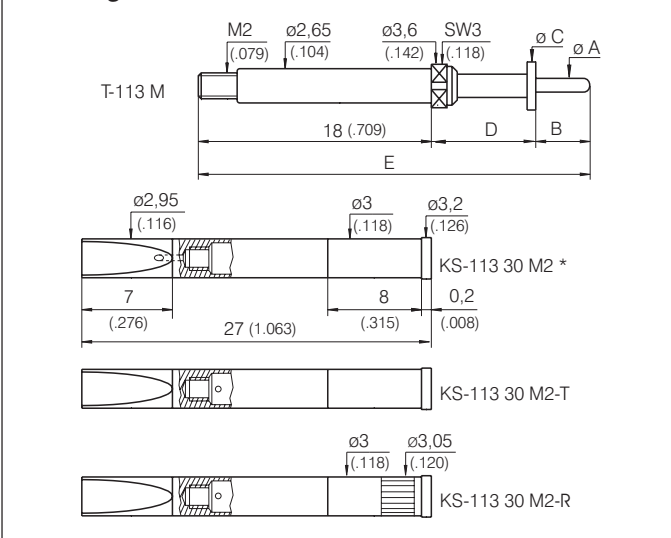
Materials

Plunger: BeCu, gold-plated
Barrel: Brass, gold-plated
Spring: Steel, gold-plated or stainless Steel (MC)
Receptacle: Brass, gold-plated

Note to T - 113 M and KS - 113 ... M

T-113 ... M will be screwed into KS-113 ... M using special tools
 > see page 103.
Recommended Screw-in Torque: Maximum 20 Ncm

Mounting and Functional Dimensions



* Axially positioned through-hole for leakage test. Attention: when not assembled correctly, then solder can flow inside the receptacle.

Collar Height and Installation Height

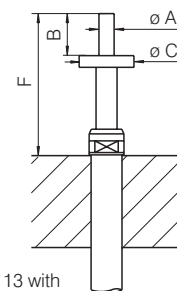
see table

Mounting Hole Size for KS - 113 30 M2 and KS - 113 30 M2-T

in CEM 1 and FR 4: $\varnothing 2,99 \text{ mm} (.1177)$

Mounting Hole Size for KS - 113 30 M2-R

in CEM 1 and FR 4: $\varnothing 3,00 - 3,02 \text{ mm} (.1181 - .1189)$



T-113 with KS-113 ... M

Part Nr.	A Tip-Ø mm (inch)	B Tip length mm (inch)	C Disk-Ø mm (inch)	D without KS mm (inch)	E Total Length mm (inch)	F Installation Height with KS
T-113 302 130 270 470 A xx02 M	1,3 (.051)	2,7 (.106)	4,7 (.185)	8,3 (.327)	29,0 (1.142)	11,2 (.441)
T-113 302 130 360 470 A xx02 M	1,3 (.051)	3,6 (.142)	4,7 (.185)	8,3 (.327)	29,9 (1.177)	12,1 (.476)
T-113 302 130 530 470 A xx02 M	1,3 (.051)	5,3 (.209)	4,7 (.185)	8,3 (.327)	31,6 (1.244)	13,8 (.543)
T-113 302 140 170 350 A xx02 M	1,4 (.055)	1,7 (.067)	3,5 (.138)	8,3 (.327)	28,0 (1.102)	10,2 (.402)
T-113 302 140 200 350 A xx02 M	1,4 (.055)	2,0 (.079)	3,5 (.138)	8,3 (.327)	28,3 (1.114)	10,5 (.413)
T-113 302 140 300 350 A xx02 M	1,4 (.055)	3,0 (.118)	3,5 (.138)	8,3 (.327)	29,3 (1.154)	11,5 (.453)
T-113 302 180 150 450 A xx02 M	1,8 (.071)	1,5 (.059)	4,5 (.177)	8,3 (.327)	27,8 (1.094)	10,0 (.394)
T-113 302 230 180 350 A xx02 M	2,3 (.091)	1,8 (.071)	3,5 (.138)	8,3 (.327)	28,1 (1.106)	10,3 (.406)
T-113 302 230 200 350 A xx02 M	2,3 (.091)	2,0 (.079)	3,5 (.138)	8,3 (.327)	28,3 (1.114)	10,5 (.413)
T-113 302 400 200 500 A xx02 M	4,0 (.157)	2,0 (.079)	5,0 (.197)	8,3 (.327)	28,3 (1.114)	10,5 (.413)
T-113 305 100 280 350 A xx02 M	1,0 (.039)	2,8 (.110)	3,5 (.138)	8,3 (.327)	29,1 (1.146)	11,3 (.445)
T-113 305 100 400 350 A xx02 M	1,0 (.039)	4,0 (.157)	3,5 (.138)	8,3 (.327)	30,3 (1.193)	12,5 (.492)
T-113 305 140 240 350 A xx02 M	1,4 (.055)	2,4 (.094)	3,5 (.138)	8,3 (.327)	28,7 (1.130)	10,9 (.429)
T-113 305 140 330 350 A xx02 M	1,4 (.055)	3,3 (.130)	3,5 (.138)	8,3 (.327)	29,6 (1.165)	11,8 (.465)
T-113 305 140 400 350 A xx02 M	1,4 (.055)	4,0 (.157)	3,5 (.138)	8,3 (.327)	30,3 (1.193)	12,5 (.492)

Ordering Example:

Series	Tip Material	Tip Style	Tip - Ø (¹ / ₁₀₀ mm) (A)	Tip Length (¹ / ₁₀₀ mm) (B)	Disk - Ø (¹ / ₁₀₀ mm) (C)	Plating A = Gold	Spring Force (dN)	Collar Height (mm)	Special Designation
	3 = BeCu								
Test Probe:	T	113	3	02	130	530	470	A	1502M
Receptacles for T-113 ... M:	KS-113 30 M2 - R		KS-113 30 M2 - T						
Receptacles for Leakage Test *:	KS-113 30 M2								

All specifications are subject to change without prior notification